

GROVE

STANDHEIZUNG
ENGINE INDEPENDENT HEATING

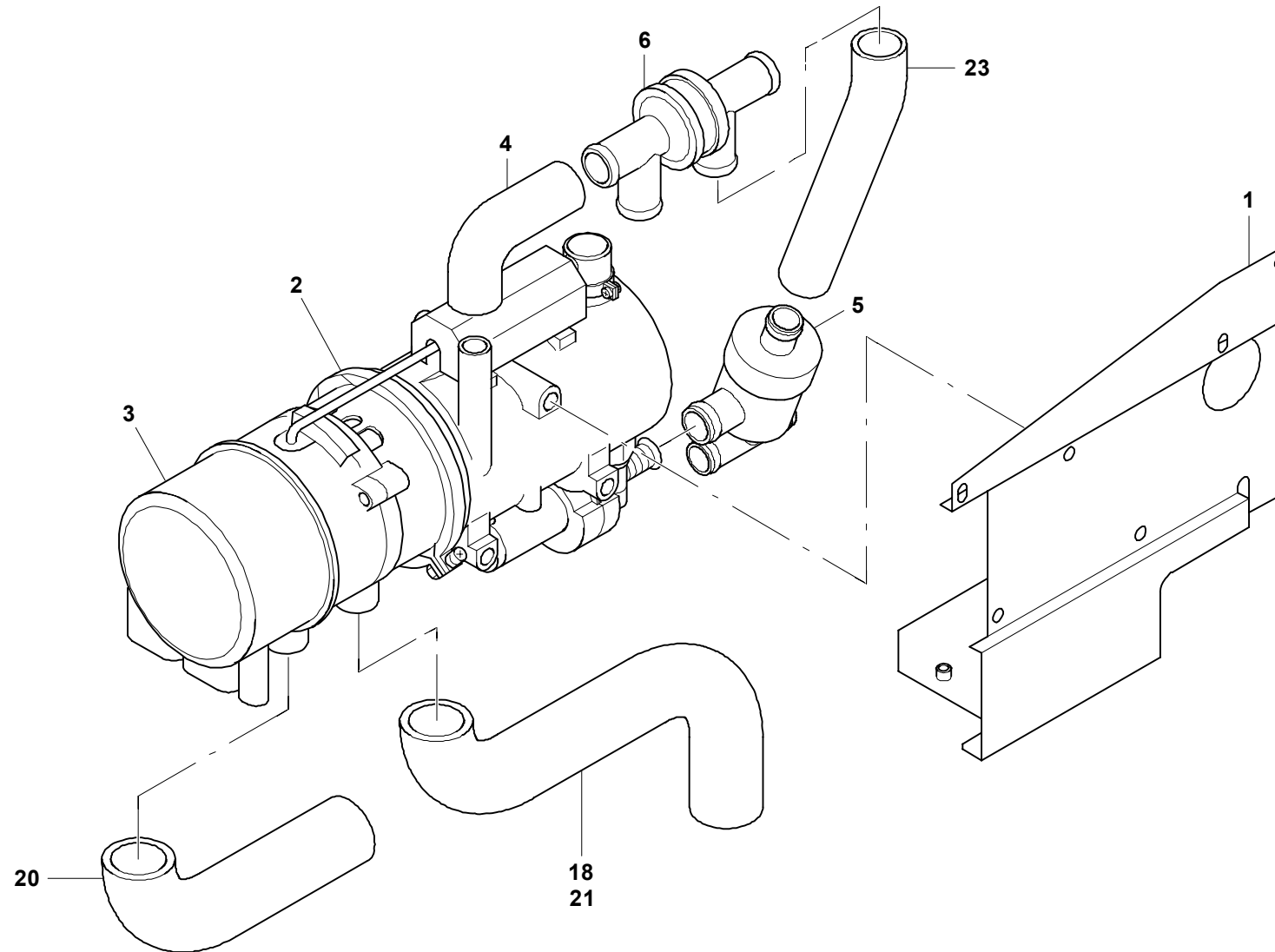
BILDТАFEL
PICTORIAL DISPLAY

GMK 4080
BE 753
G 291

02.04

3057812-ETL A

1/1



3057812-A-BL01-0204-0000